



## **INTERFACE *C11* v2**

User manual v170829

## Description

Interface **C11 v2** is designed for Trikdis Series 10 message transmission modules (G10, E10, T10 and others) to transmit control panel telephone communicator (TLC) messages in a suitable format.

Interface **C11 v2** is connected to message transmission module and to control panel telephone communicator terminals. **C11 v2** imitates a telephone receiver and communicates with the control panel telephone communicator in a suitable format. In case of an event, the interface receives the control panel telephone communicator Contact ID message and transmits it to the message transmission module in a suitable format. Module transmits the message to the receiver set during the configuration.

## Technical parameters

Input voltage	direct 12,6 V, permissible variation limits from 10 to 15 V
Used current	up to 35 mA
Control panel TLC communication protocol	DTMF tones Contact ID (SIA DC-05 1999.09)
Inputs IN1 and IN2	directly connected to message transmission module inputs IN1 and IN2
Output OUT1	directly connected to message transmission module output OUT1
Working environment	Temperature from -20°C to +55°C, relative humidity up to 95%, when +20°C

## Compatible Trikdis products

Message transmission module	Message transmission type
G10	1 SIM a) GPRS (TCP/UDP), Contact ID, encrypted TRK b) GSM voice, Contact ID, DTMF  c) SMS, Contact ID, encrypted TRK d) SMS, set text
G10D	2 SIM a) GPRS (TCP/UDP), Contact ID, encrypted TRK b) GSM voice, Contact ID, DTMF  c) SMS, Contact ID, encrypted TRK d) SMS, set text
G09	1 SIM a) GPRS (TCP/UDP), Contact ID, AES128/non-encrypted SIA-IP (DC09) b) GSM voice, Contact ID, DTMF

UAB TRIKDIS

Draugystes g. 17, LT-51229 Kaunas, Lithuania, tel. +370 37 408040, fax +370 37 760554,

email: [info@trikdis.lt](mailto:info@trikdis.lt), website: [www.trikdis.lt](http://www.trikdis.lt)

	c) SMS, set text
T10, T10U	VHF (T10) or UHF (T10U) range with one or two radio frequencies, Contact ID (RAS3), UNI (RAS-2M), LARS, LARS 1
E10	WAN (TCP/UDP), Contact ID, encrypted TRK

## Installation

1. For Trikdis Series 10 device in corresponding device configuration software select option 2. INTERFACE C11 from the list *Panel type* to make the message transmission module compatible to work with interface **C11 v2**.
2. Plug interface **C11 v2** into the message transmission module.
  - 2.1. Take the terminal block out of the message transmission module.
  - 2.2. Plug interface **C11 v2** into the module terminal block socket. Plug the terminal block into interface terminal block socket.



3. Follow the wiring diagrams in this manual to correctly wire the interface and the control panel.

**Note:** Both, the interface and the message transmission module will be powered by direct 12 V voltage current connected to interface **C11 v2** terminals +E and COM.

4. Follow the user manual for control panel programming to set operation parameters of the control panel telephone communicator:

- Enter the four-digit control panel Account number (0-9, B-F);
- Enter the four-digit telephone receiver number (e.g. 1234) that the control panel will call to in case of an event. Enter the number end symbol after the number if TLC programming rules require so;
- Set the message transmission type to DTMF tones;  
UAB TRIKDIS

Draugystes g. 17, LT-51229 Kaunas, Lithuania, tel. +370 37 408040, fax +370 37 760554,

email: [info@trikdis.lt](mailto:info@trikdis.lt), website: [www.trikdis.lt](http://www.trikdis.lt)

- Set the automatic message transmission protocol to *Contact ID*.
- Enter desired event codes if you wish to transmit special messages or the control panel does not support automatic generation of *Contact ID* codes.

#### 4.1 Communications Setup for Honeywell Vista panel

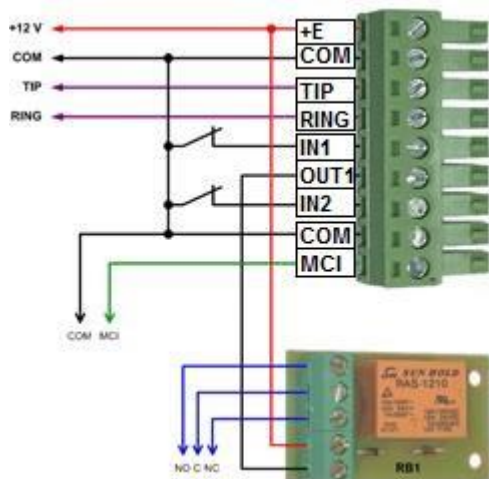
Go to the following sections, and program them as indicated:

- \*41 - Enter the telephone receiver number (you can use any number not shorter than 2-digits) that the control panel will call to in case of an event.
- \*43 – Enter the four-digit control panel Account Number
- \*47 – Select Tone dialing 1 and enter desired dialer attempts
- \*48 - Contact ID. Use the default, Contact ID 4 by setting \*48 to 77
- \*49 - Split/Dual report. \*49, should be set to 5
- \*50 - Burglar Dialer Delay (optional). The default is [2,0] which causes a 30 second delay until an alarm event is sent out. If you want the event to be sent out with no delay then set this to [0,0].

#### Exit Programming

Once all the sections are programmed, leave installers mode by entering \*99 on the keypad.

5. Generate a control panel message and test the operation of the interface. Flashing light indication notifies that control panel messages are received by the interface.
6. Check whether message transmission module sent all the generated control panel messages to the set receiver during the test.



- +E, COM – for 12 V power supply circuits;
- TIP, RING – inputs for phone line from control panel telephone communicator terminals;
- IN1, IN2 – inputs for sensors;
- MCI – data bus for message transmission to another message transmission module;
- OUT1 – output for an open collector. A relay block RB1 may be wired to the output to allow the control of another electrotechnical device.

UAB TRIKDIS

Draugystes g. 17, LT-51229 Kaunas, Lithuania, tel. +370 37 408040, fax +370 37 760554,

email: [info@trikdis.lt](mailto:info@trikdis.lt), website: [www.trikdis.lt](http://www.trikdis.lt)

## Warranty

According to the interface user manual and general rules for the installation of electrical equipment, the manufacturer provides a 24 month warranty to the installed and operated product. Warranty coverage begins at the moment of the product sale and purchase agreement, i.e. invoice or fiscal receipt issue date.

UAB TRIKDIS

Draugystes g. 17, LT-51229 Kaunas, Lithuania, tel. +370 37 408040, fax +370 37 760554,

---

email: [info@trikdis.lt](mailto:info@trikdis.lt), website: [www.trikdis.lt](http://www.trikdis.lt)