

## INPUT EXPANSION MODULE CZ8

### Definition

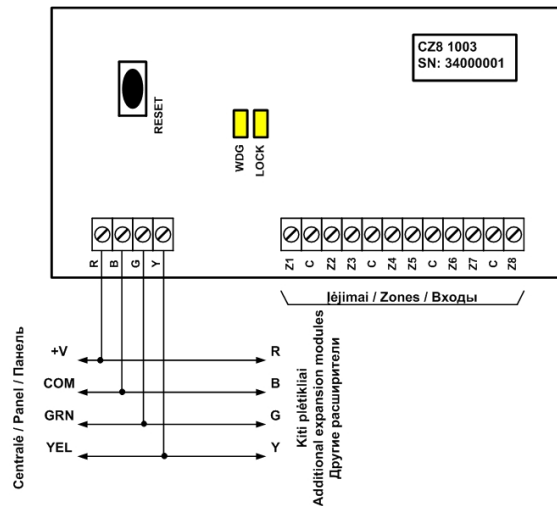
The 8-input Expansion Module **CZ8** is an interface between the GSM control panel **CG3** and any hardwired detection devices. The **CZ8** is connected to common bus of the control panel to provide eight additional hardwired inputs.

### Specifications

Inputs on board	8
Input type	NC / NO / EOL=2,2 kΩ
Power supply	10-15 VDC
Current	50-100 mA
Dimensions	95 x 50 x 17 mm

### Board installation

1. Keep your board in its bag until you are ready to install to your system.
2. When removing the board from the bag, hold it at the edges and do not touch the components or connectors. Please handle the board in antistatic environment and use a grounded workbench for testing and handling your hardware. Before installing the board in housing, check the power cabling. Failure to do so may cause the expansion module to malfunction or even cause permanent damage.
3. Install the board in desired place holding it by the edges.
4. Connect common bus of **CZ8** with common bus of control panel **CG3**. Follow the connection diagram below.



4. Power supply the **CG3**. Wait until LED **LOCK** switches off. The LED **WDG** must steady twinkle. If LEDs operate by another mode, test quality of common bus wiring.

**Note:** for restarting module **CZ8** while security system is on operating mode, press the button **RESET** on **CZ8** board.

5. Follow the Installation manual of **CG3** to configure the control panel **CG3** that it be able to operate with expansion module.
6. Connect detectors (sensors) to input terminal.