

SETTING UP G10 COMMUNICATOR WITH PROTEGUS

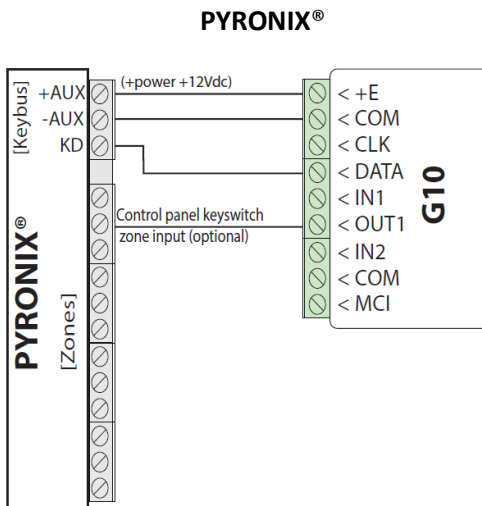
Note: The G10 communicator will be delivered with preset parameters to operate with PROTEGUS

1. Connect G10 communicator to security control panel

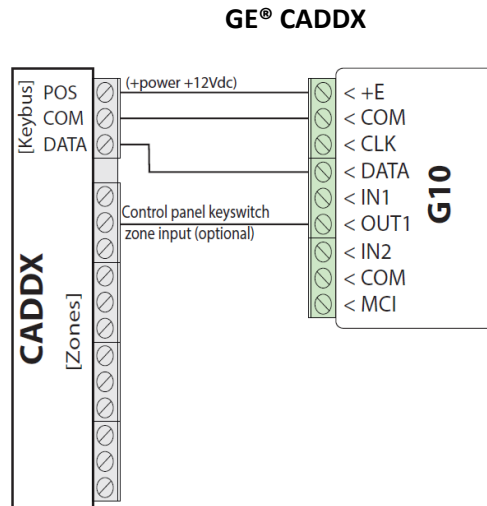
- 1.1. Disconnect the security control panel from power supply.
- 1.2. Using one of the wiring diagrams below connect the G10 communicator to control panel.
- 1.3. (Optional) if you want to remotely arm/disarm system:
 - 1.3.1. Connect G10 output to the panel's keyswitch zone input (one wire, no resistors).
 - 1.3.2. Program alarm panel's zone as momentary keyswitch zone (see security control panel's programming manual).
- 1.4. Connect the security control panel to a power supply.

Note: You can find more information on how to connect and program G10 series communicators here: <http://www.trikdis.com/en/products/alarm-transmitting-devices/gsm-gprs/gsm-communicator-g10>

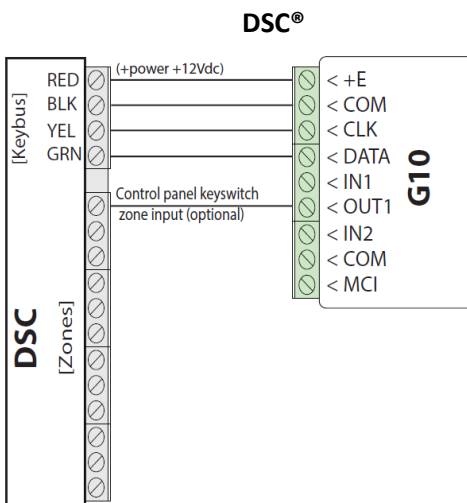
1.1. Wiring diagrams



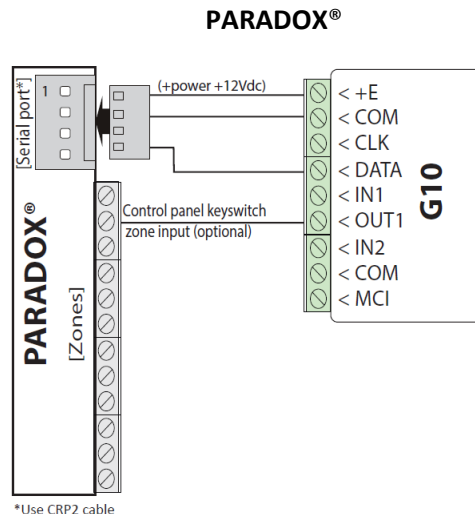
Wiring diagram to *Pyronix*® Matrix Series control panels: MATRIX 424, MATRIX 832, MATRIX 832+, MATRIX 6, MATRIX 816



Wiring diagram to *GE*® Caddx control panels: NX-8, NX-8v2



Wiring diagram to *DSC*® Power Series control panels: PC1616, PC1832, PC1864 PC585, PC1565, PC5020.



Wiring diagram to *Paradox*® security control panels: SPECTRA SP5500, SP6000, SP7000, 1727, 1728, 1738; MAGELLAN MG5000, MG5050; DIGIPLEX EVO48, EVO192, EVO96, NE96, EVOHD; ESPRIT E55, 728ULT, 738ULT.

The following settings have to be programmed for Caddx control panels:

In order for communicator G10 to work with Caddx security control panels NX-4v2, NX-6v2, NX-8v2, NX-8e, control panels` locations 23 and 37 must be set as shown in the table below. When there are more than one partition in NX-8v2, NX-8e, also program locations 90, 93, 99, 102, 105, 108.

To enter program mode by default:

1. Press [*8 9713] and enter device number (by default 0).
2. Using control panel`s installation manual, set locations and features of segment.

If you want to select all eight features of a segment, press 1, 2, 3, 4, 5, 6, 7, 8. Symbol * shows that feature is turned off.

Location	Segment	Features of segment
23	3	12345678
37 (optional, system events)	3	12345678
	4	1234567*
90	3	12345678
93	3	12345678
99	3	12345678
102	3	12345678
105	3	12345678
108	3	12345678

2. Register G10 communicator in Protegus service

2.1. Log in or sign in to www.protegus.eu.

2.2. Add the system to Protegus: press **"Select system"**; next **"Add new system +"**, and enter the required data as shown below (you can skip fields **"Name"**, **"Address"** and fill it later).

← Add system Create

Name

IMEI*

Service Access code

Address

Enter IMEI (it can be found: on packing box; back of communicator`s housing; in G10config status bar).

Leave this field empty.

2.3. If you will use remote arm/disarm feature, in Protegus main window, choose **"Settings"** tab and then tick the checkbox: **"Arm/Disarm with PGM"**.

Areas

Settings

Events

Sensors

Outputs

← Edit system Delete system Save

Re-read system config

Name

System type G10

IMEI

Service Access code

Address

Time zone

Arm/Disarm with PGM

Use Application password for ARM/DISARM