

QUICK START GUIDE FOR SETTING UP G16T COMMUNICATOR WITH PROTEGUS

Communicator G16T is intended to upgrade any intruder alarm panel with telephone line communicator (TLC) for event signalling via cellular network.

Customers are informed about security system events in Protegus apps or with SMS messages. They can Arm/Disarm the alarm system remotely via panel's keyswitch zone.

Before you begin

Before you begin, make sure that you have the necessary:

- USB cable (Mini-B type) for configuration.
- At least 4 wires cable for connecting communicator to control panel.
- Flat-head screwdriver.
- Registered in GSM network standard SIM card, with disabled PIN code request.
- Control panel installation manual.

Order them separately from your local distributor.

Program security control panel

Use Programming manual of particular security control panel and set operation parameters of telephone communicator as following:

- Enable the PSTN dialler of the panel.
- Select DTMF mode.
- Select Contact ID communication format.
- Enter a telephone number for dialling (you can use any number not shorter than 2-digits).
- Enter a 4-digit account number in the panel.

Program Honeywell Vista panel landline dialer

Communications Setup

Go to the following sections, and program them as indicated:

- *41 - Enter Phone Number
- *43 - Enter Account Number
- *47 – Select Tone dialing 1 and enter desired dialer attempts
- *48 - Contact ID. Use the default, Contact ID 4 by setting *48 to 77
- *49 - Split/Dual report. *49, should be set to 5
- *50 - Burglar Dialer Delay (optional). The default is [2,0] which causes a 30 second delay until an alarm event is sent out. If you want the event to be sent out with no delay then set this to [0,0].

Exit Programming

Once all the sections are programmed, leave installers mode by entering *99 on the keypad.

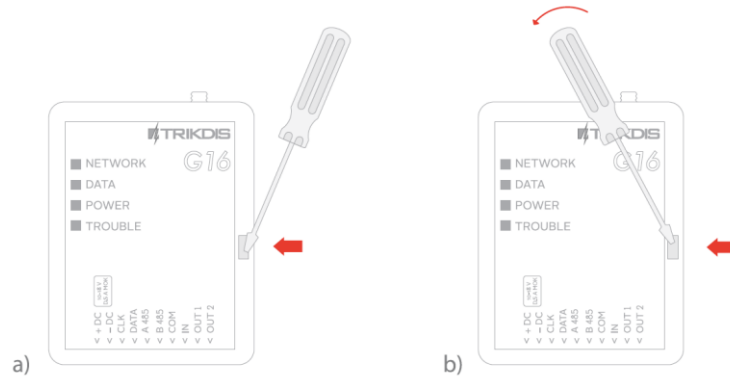
1 Connect G16T to TrikdisConfig

Communicator can be configured using **TrikdisConfig** software for MS Window OS via USB cable.

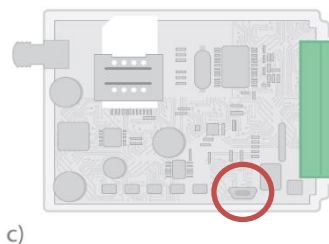
1.1 Download **TrikdisConfig** from www.trikdis.com (in search field type *TrikdisConfig*), and install it.

1.2 Connect the communicator to TrikdisConfig:

- **Using USB cable:** Carefully open the casing with flat-head screwdriver as shown below:
 - a) Insert screwdriver into the slot (red arrow).
 - b) **Hold the casing's bottom part with one hand** and gently push screwdriver to the left side.



- c) Plug in USB cable. Run the configuration software **TrikdisConfig**. The software will automatically recognise connected communicator and will open a window for communicator configuration.



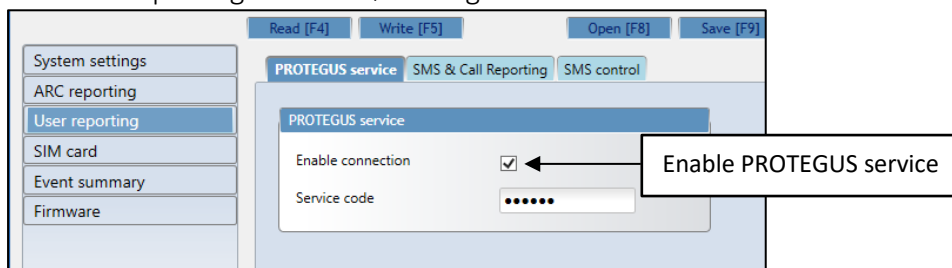
1.3 Click **Read [F4]** to read the communicators parameters.

Note:

If communicator was upgraded with newer firmware we highly suggest not to use existing settings file, but manually make new configuration in order of possible incompatibilities.

2 Set operation parameters

2.1 User reporting window → Protegus service tab

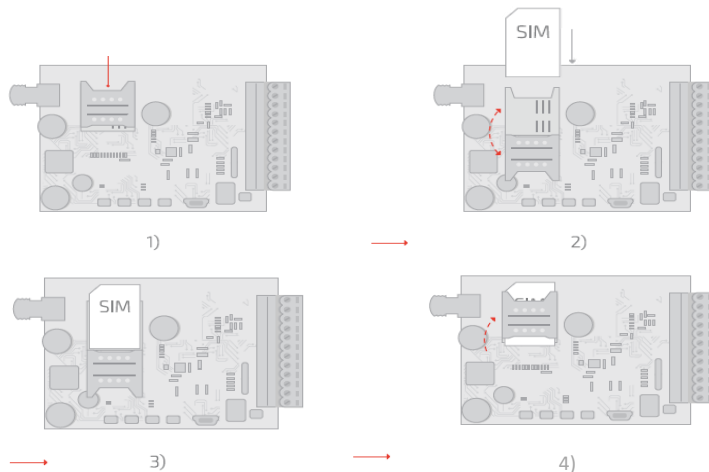


2.3 Click **Write [F5]**, to write new parameters to the communicator.

2.4 Unplug the USB cable to **Disconnect** communicator

3 Physical installation process

3.1 Insert SIM card into the holder



Note:

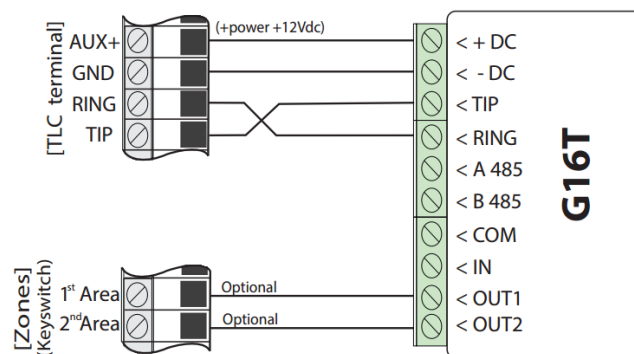
- SIM card must be already registered to the GSM network, if GPRS communication will be used, ensure to enable mobile data service.
- To configure the communicator remotely, insert a SIM card with the PIN code request function disabled.

3.2 Close the communicator's case.

3.3 Connect GSM antenna.

3.4 Following provided schematics connect G16T to the control panel:

DISCONNECT CONTROL PANEL POWER SUPPLY !



3.5 Connect a power supply.

3.6 Check GSM or 3G network strength:

- Note:** Sufficient GSM signal strength is level 5 (five yellow flashes of indicator Network).
Sufficient 3G signal strength is level 3 (three yellow flashes of indicator Network).

4 Add communicator to the Protegus

4.1 Log in or sign in to www.protegus.eu.

4.2 Add the system to the Protegus: press **Select system**; next **Add new system +**, and enter the required data as shown below.

Android Google play store:

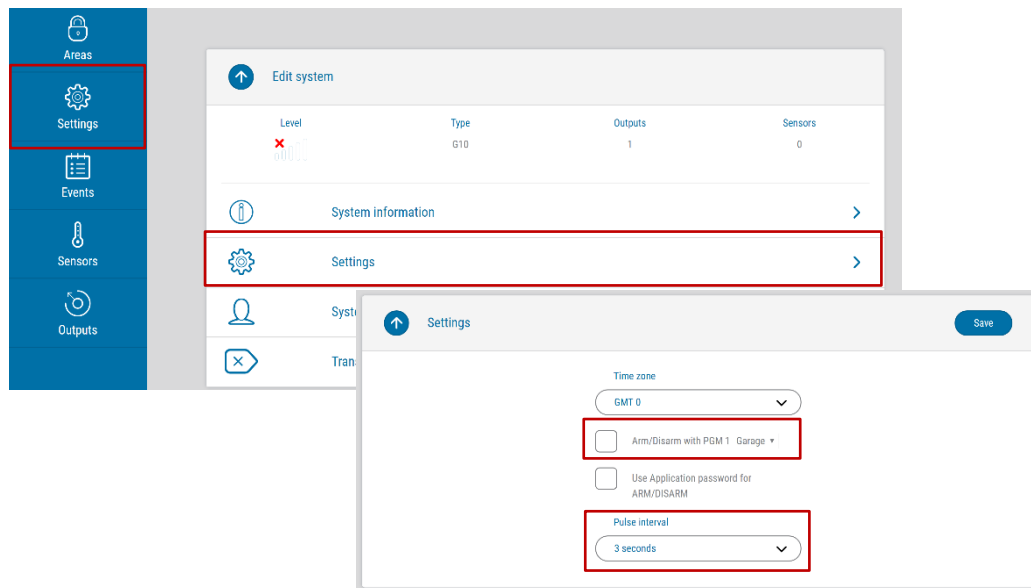
<https://play.google.com/store/apps/details?id=it.apps.protegus&hl=it>

Apple App store:

<https://itunes.apple.com/us/app/protegus-smart-security/id1092492126?mt=8>

Enter IMEI (it can be found: on packing box; back of communicator`s housing;)

4.3 (Optional) If you will use remote arm/disarm feature, in Protegus main window, choose **Settings** from side bar and again **Settings**. In new **Settings** window tick the checkbox: **Arm/Disarm with PGM**



IMPORTANT! In Protegus app one PGM output can be assigned to control one Area (1 PGM - 1 Area; 2 PGM - 2 Areas) regardless of how many areas are controlled by same keyswitch zone in panel.

Set which Area will be controlled by Protegus in system **Settings**. There select the checkbox **Arm/Disarm with PGM**, and the number of Area, which you want to control.

In Protegus **Areas** window, you will see all areas available in the system, with controllable areas highlighted.

IMPORTANT! To use keyswitch control feature with the **Honeywell/Ademco Vista 48** security system, right Pulse period time must be set:

- If Pulse period is set less than 2 seconds - system will operate in Normal Arm mode.
- If Pulse period will be set more than 2 seconds - system will operate in Stay Arm mode.

Not all Vista control panels will have this functionality. For detailed information about this functionality, please refer to Honeywell Vista panel installation manual.