



## COMPATIBILITY MODULE SM1 for two-wire fire detectors

### Installation manual

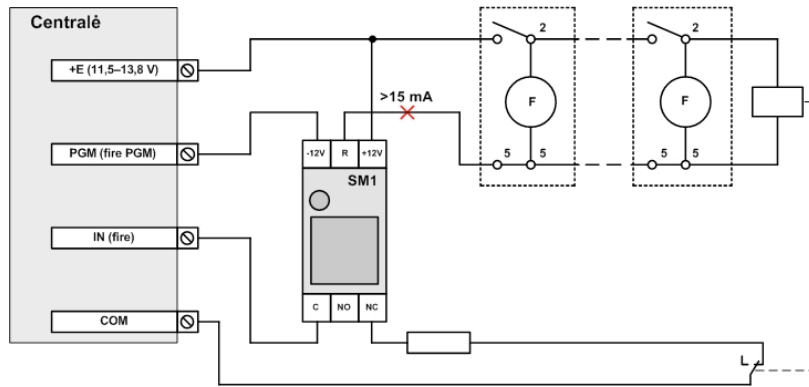
Compatibility module SM1 is used when two-wire fire detectors need to be wired to the security control panels that use four-wire fire detector wiring diagram. Module is wired between the inputs (zones) of the control panel and two-wire fire detectors.

#### Installation

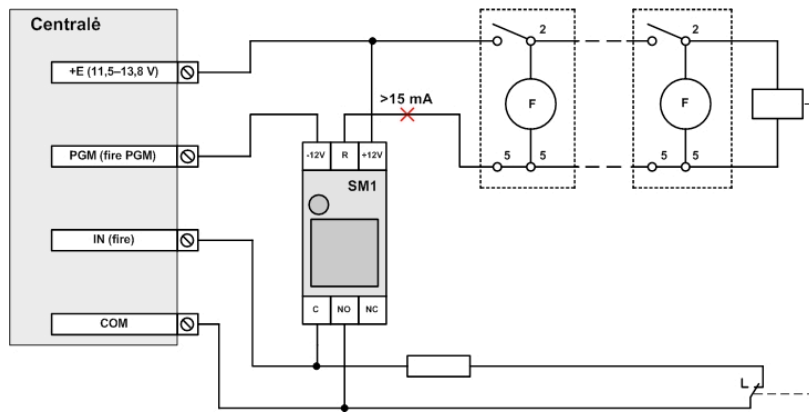
1. Turn off the security system power supply.
2. Wire two-wire fire detectors and module SM1 to the control panel according to one of the diagrams below.
3. Turn on the control panel power supply.
4. Set operational control panel parameters according to the installation manual.
5. Check the operation of the fire alarm system.

#### Technical parameters

Input voltage	from 10,5 V to 15 V
Output relay	NC/NO/C
Triggering current (when relay changes status)	over 15 mA
Mutual idle current of detectors and the additional relay	up to 10 mA
Triggering current	over 15 mA
Measurements	54 x 21 x 19 mm



a) using zone EOL (or NC, without resistor)



b) using zone NO

#### Warranty obligations:

Manufacturer of the product provides a warranty period of 24 months, during which it undertakes to repair or replace the faulty module.